

# Cable Cubby • Setup Guide

This guide provides instructions for an experienced installer to install and connect the Extron Cable Cubby® 300, 600, and 800.

The Cable Cubby units are furniture-mounted enclosures for cable access, connections, and AC power. Cables that are not in use can be stored out of the way while remaining connected to the presentation system.

**IMPORTANT:**  
Refer to [www.extron.com](http://www.extron.com) for the complete user guide and installation instructions before connecting the product to the power source.

## Planning

Determine the best location for the enclosure. **Before making any cuts:**

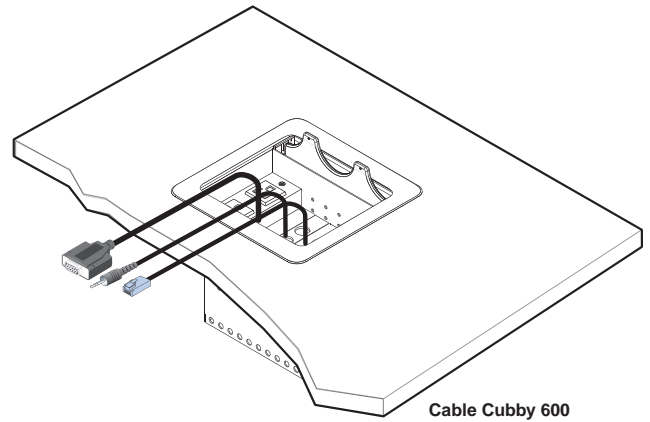
- Ensure that the location where the Cable Cubby is to be installed is convenient for as many users as possible.
- Ensure that the edge on which the lid opens is oriented correctly.
- Ensure that there is ample space under the table for cables.
- Ensure that the correct template or dimensions are used.

Decide on the method for cutting the hole in the table.

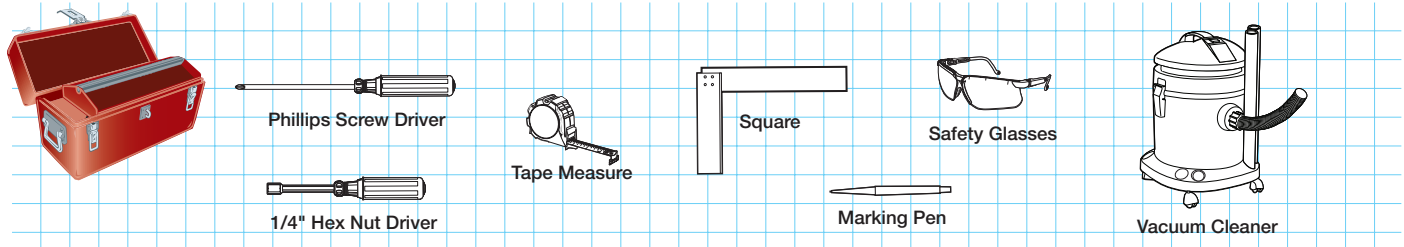
- Hand router and template
- CNC wood router
- Jigsaw and paper template

Before starting the installation, check with local and state regulations:

- Ensure that the planned installation complies with building and electrical codes.
- Ensure that the planned installation complies with the Americans with Disabilities Act or other accessibility requirements.



## Tools and Equipment Required for Installation



## Included Parts

300S

300C

Screw Clamps (2)

Zip Ties

Grommet and hole plug kit

#4-40 Screws & Nuts

Tweezer (1)

600

800

AC Power Module  
(quantity is optional, depending on model)

| Model           | AAP Shelf Brackets |       |       | Pass through AAPs* |     |     |     |
|-----------------|--------------------|-------|-------|--------------------|-----|-----|-----|
|                 | 2 Pos              | 3 Pos | 4 Pos | L                  | L-M | R-M | R   |
| CC 300 US/Int'l | 0/2                | 2/0   | 0/0   | 1/1                | 0/0 | 1/0 | 2/1 |
| CC 600 US/Int'l | 0/2                | 4/2   | 0/0   | 2/3                | 2/2 | 2/1 | 2/1 |
| CC 800 US/Int'l | 0/0                | 0/2   | 4/2   | 2/3                | 3/3 | 3/2 | 2/1 |

\* L = left, L-M = left-middle, R-M = right middle, R = right

# Cable Cubby • Setup Guide (Continued)

## Preparing the Table

**WARNING:** Wear safety glasses when cutting the hole in the table. Failure to comply may result in eye injury.

- ATTENTION:**
- The opening in the table for the Cable Cubby should be cut only by licensed and bonded craftspeople.
  - Exercise care to prevent scarring or damaging the furniture.
  - **Cable Cubby 300 installation** — Ensure that the table surface is at least 5/8 inch (0.625") (15.88 mm) thick.
  - **Cable Cubby 600/800 installation** — Ensure that the table surface is at least 3/4 inch (0.75") (19.05 mm) thick.

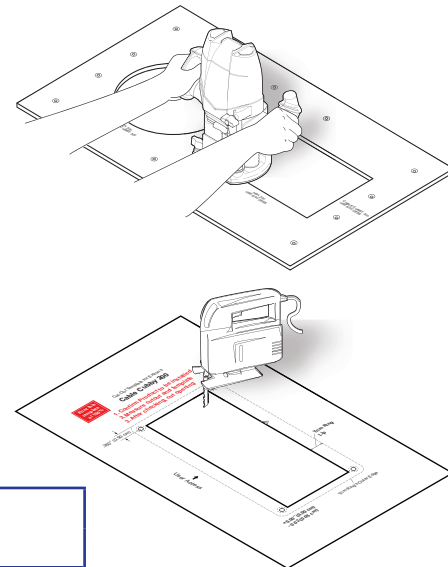
Cut a hole in the surface where the enclosure will be installed. There are three methods for cutting the hole in the table:

- A hand router and the appropriate Extron Cable Cubby routing template. See the table below for part numbers. See the *HSA Series and Cable Cubby Routing Template User Guide*, available on the Extron website, [www.extron.com](http://www.extron.com), to prepare the template and use the template to cut the hole.

**NOTE:** The metal routing template is reusable. Do not discard this routing template when the installation is complete.

- A CNC wood router and the **exact** cut-out dimensions for your model. See the table below for cut-out dimensions:
- A jigsaw and a paper cut-out template (available on the Extron website, [www.extron.com](http://www.extron.com))

**NOTE:** The underlined dimension in the table below is the side on which the lid opens.



| Product          | Routing Template Part Number | Cut-out Dimensions              |                        |
|------------------|------------------------------|---------------------------------|------------------------|
|                  |                              | Width                           | Depth                  |
| Cable Cubby 300S | 70-237-01                    | <u>4.65 inches (11.81 cm)</u>   | 6.00 inches (15.24 cm) |
| Cable Cubby 300C | 70-237-01                    | 6.03 inches (15.32 cm) diameter |                        |
| Cable Cubby 600  | 70-239-01                    | <u>6.49 inches (16.48 cm)</u>   | 6.49 inches (16.48 cm) |
| Cable Cubby 800  | 70-240-01                    | <u>7.89 inches (20.04 cm)</u>   | 6.35 inches (16.13 cm) |

## Preparing the Cable Cubby

- TIPS:**
- Install any power modules before installing AAPs.
  - Populate the shelf brackets with cables and AAPs outside the enclosure and then install the populated AAP shelf assembly into the enclosure.

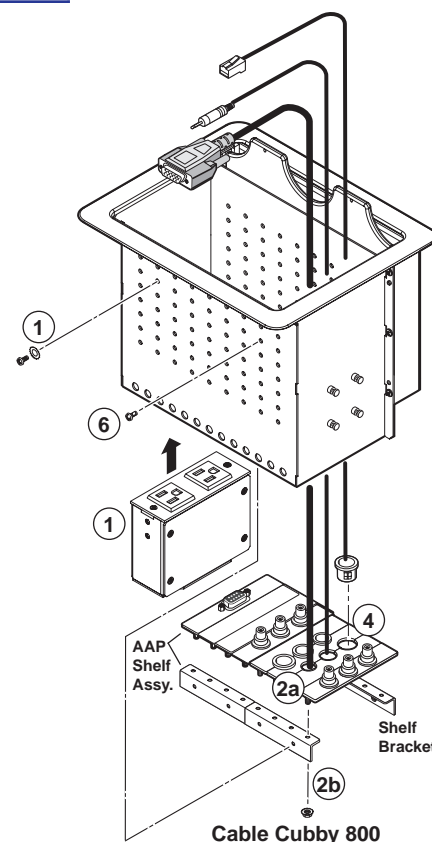
Install the power module and cables in the pass-through holes as follows:

1. Gently push any power modules into the desired position and elevation. Secure the modules into position with the provided screws and washers.

**WARNING:** To ensure good electrical grounding, use the star washers with the screws.

2. Rest the cables in the half-moon cutouts of two cable pass-through AAP segments (Ⓜ) and secure the next cable pass-through AAP segment to the shelf brackets with the provided #4-40 nuts (Ⓜ).
3. Repeat step 2 for the remaining cables and cable pass-through AAP segments.
4. Snap the appropriate size split grommet over each cable and into the pass-through holes with the flange of the grommet on top.
5. Snap the included hole plugs into unused hole.
6. Gently push the AAP shelf assembly into the enclosure at the desired elevation. Ensure there is enough space above the AAP assembly for the Cable Cubby lid to close completely. Secure the AAP shelf assembly into position with the provided screws.

**TIP:** If the AAP shelf assembly does not slide easily into the cubby, loosen the AAP mounting nuts. Retighten the nuts once the AAP shelf assembly is installed.



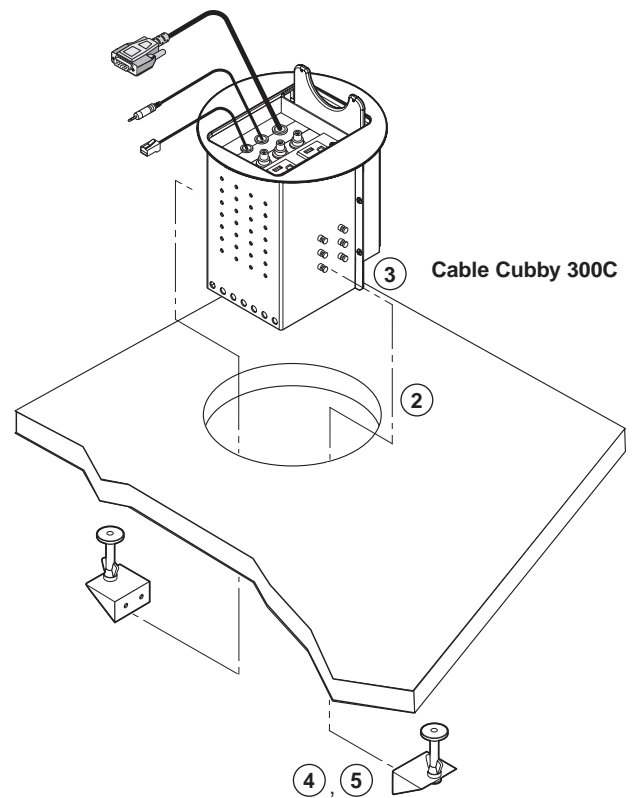
## Mounting the Cable Cubby in the Table

**ATTENTION:** Be careful when handling and mounting the enclosure. Mishandling can damage the appearance of the enclosure.

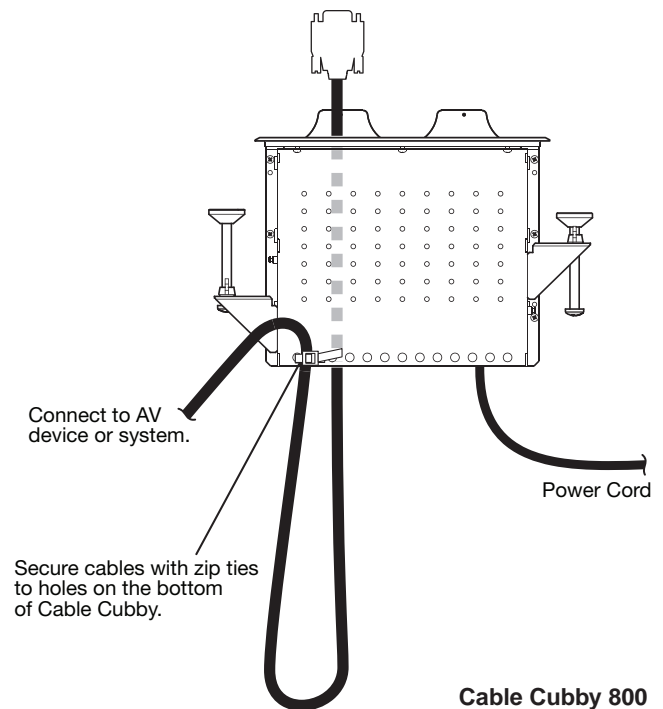
1. Remove the plastic strips that protect the corners of the enclosure and the plastic film on the finished surfaces.
2. Carefully lower the Cable Cubby into the hole to test the fit. If necessary, carefully enlarge the opening.
3. Under the table, install the screw clamps on the enclosure at a height at which the clamp will reach the underside of the tabletop.

**ATTENTION:** Do not overtighten the Phillips head screws on the screw clamps. Overtightening can bend the screw clamp.

4. Snugly tighten the Phillips head screws on the screw clamps to secure the enclosure to the surface.
5. Tighten the locking thumbscrews on the screw clamps to lock the clamp in position.



6. Under the table, route the cables to prevent snags or tangles. Allow at least 36 inches (0.9 m) of cable loop for each cable and secure the cables to the underside of the unit.
7. Connect video, audio, and network cables to the AV system and connect the AC power cord.



## Installation Checklist

### Planning (page 1)

- Choose a location. Consider the following:
  - Ensure that the edge on which the lid opens faces the table position of the most likely user.
  - Ensure that there is ample space under the table for draping cables.
  - Ensure that there is a nearby electrical outlet.

### Preparing the Table (page 2)

- Ensure that you are using the correct template or dimensions.
- Cut the hole.

### Preparing the Cable Cubby (page 2)

- Install the power module, cables, and AAPs.

### Mounting the Cable Cubby (page 3)

- Route the cables out of the way to eliminate tangles or snags.

### Connecting the Cable Cubby AC Power Cord

|  |  |  |  |   |  |   |   |  |
|--|--|--|--|---|--|---|---|--|
| <b>Extron Headquarters</b><br>+800.633.9876 Inside USA/Canada Only<br><br><b>Extron USA - West</b><br>+1.714.491.1500<br>+1.714.491.1517 FAX | <b>Extron USA - East</b><br>+1.919.850.1000<br>+1.919.850.1001 FAX | <b>Extron Europe</b><br>+800.3987.6673<br>Inside Europe Only<br><br>+31.33.453.4040<br>+31.33.453.4050 FAX | <b>Extron Asia</b><br>+800.7339.8766<br>Inside Asia Only<br><br>+65.6383.4400<br>+65.6383.4664 FAX | <b>Extron Japan</b><br><br>+81.3.3511.7655<br>+81.3.3511.7656 FAX | <b>Extron China</b><br>+4000.EXTRON<br>+4000.398766<br>Inside China Only<br><br>+86.21.3760.1568<br>+86.21.3760.1566 FAX | <b>Extron Middle East</b><br><br>+971.4.2991800<br>+971.4.2991880 FAX | <b>Extron Korea</b><br><br>+82.2.3444.1571<br>+82.2.3444.1575 FAX | <b>Extron India</b><br>1800.3070.3777<br>Inside India Only<br><br>+91.80.3055.3777<br>+91.80.3055.3737 FAX |
|--|--|--|--|---|--|---|---|--|

68-1558-50  
 Rev B  
 05 12